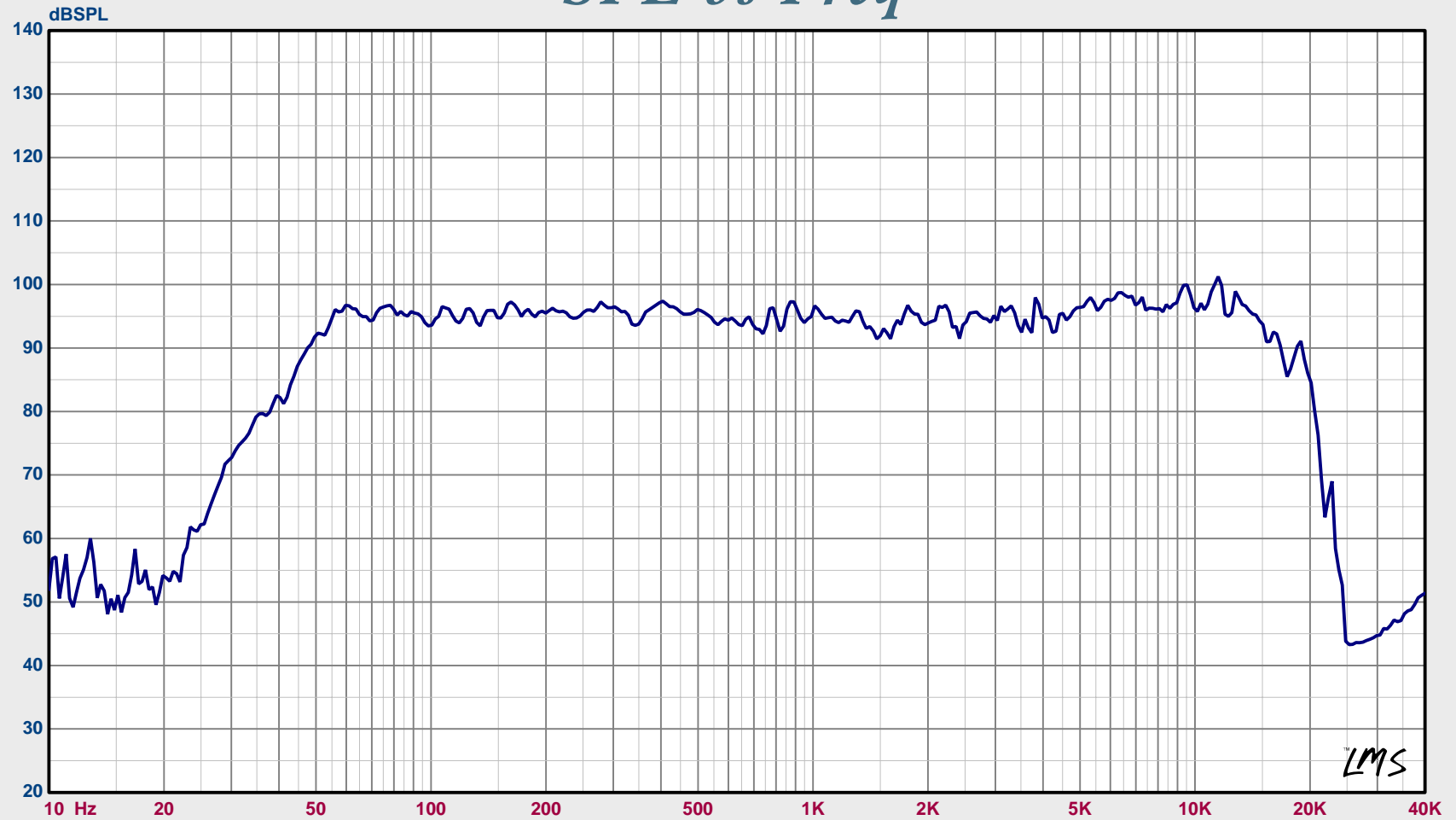


SPL vs Freq



LMS

Map

— 20: 000 Blackbird 4w4m GP HorzDisp -PP Settings

Notes

Input: 5.66V (nom 4w)

Dist: 4.0mtr

Smoothing: Nil

Method: Ground Plane Sweep

LMS

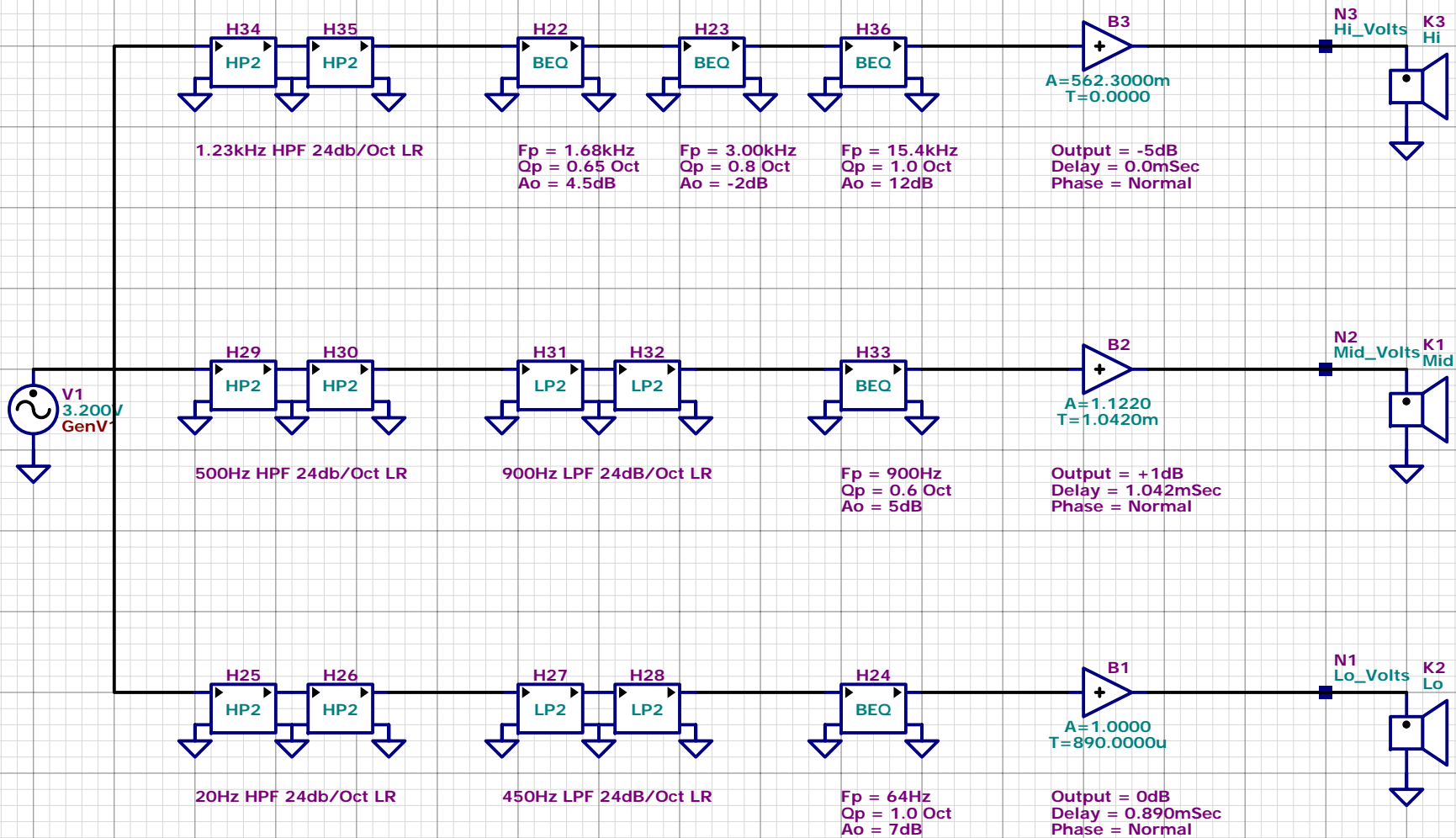
4.5.0.342
May/19/2004

Person: Richard Faint
Company: Acoustic Technologies

Project: Blackbird - Config #2
File: Measurements - SA Settings.lib

Feb 2, 2005
Wed 9:50 am

LINEAR X
S Y S T E M S



Notes

Voltage vs Freq



Map

- 3: VoltTF Lo_Volts
- 4: VoltTF Mid_Volts
- 5: VoltTF Hi_Volts

Notes
