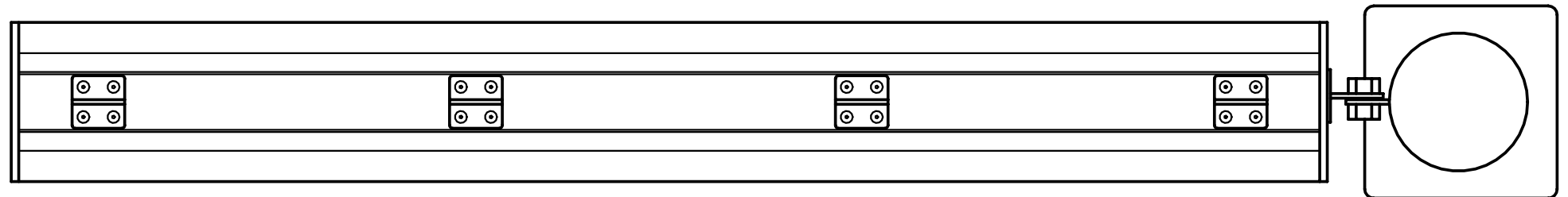
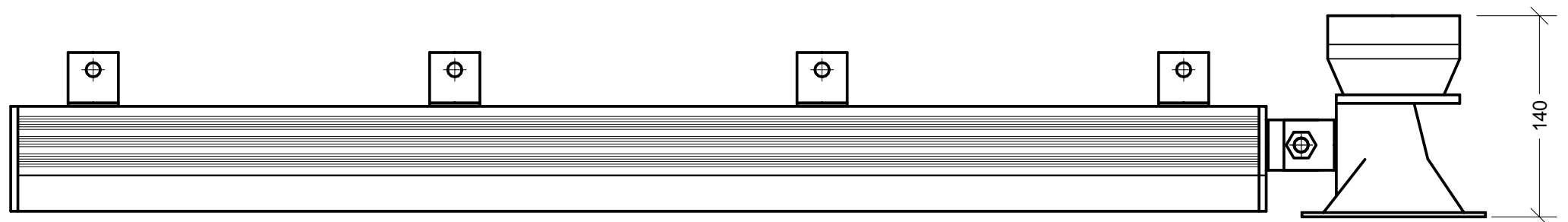
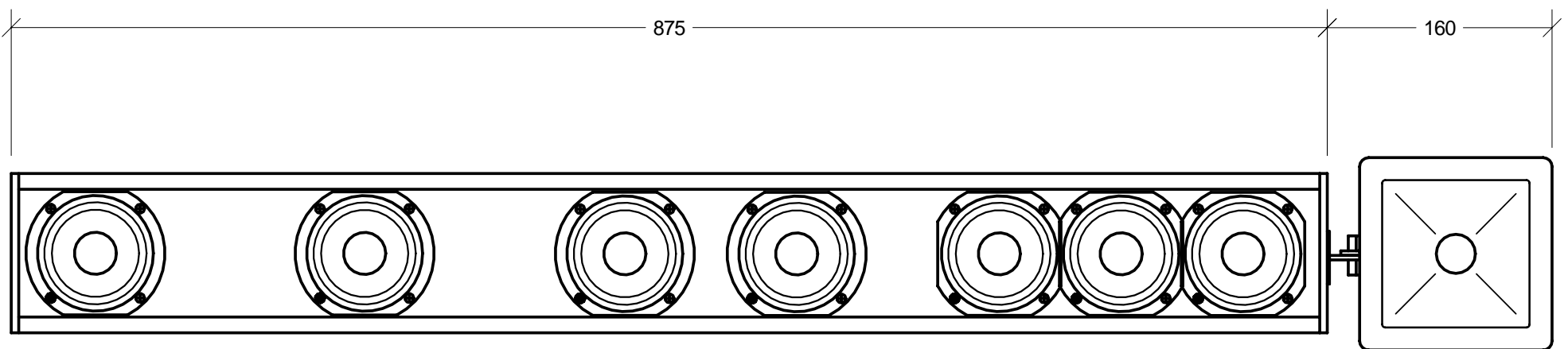
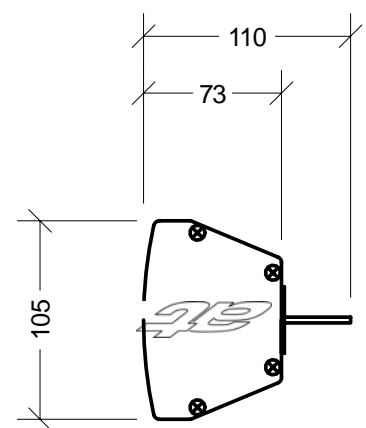


1 2 3 4 5 6 7 8

A
B
C
D
E
F

A
B
C
D
E
F



1 2 3 4 5 6 7 8

C 17.06.2006
Horn and swivel
arrangement added.

B 10.05.2005
Driver spacing,
cabinet dimensions,
& mounting brackets
changed.

A ORIGINAL ISSUE

acoustic technologies

Drawn R. Faint	Checked	Approved	Revision C	Scale 1:4
----------------	---------	----------	------------	-----------

ALA07C TYPE H

AT-A3-293